



Orcan

Trusted Since 1978



MANUFACTURING
EXPERIENCE



TWIN PART

CNC VISE

About us

Welcome to Orcan, where we design and manufacture high-quality bench vices and machine vices with a strong dedication to meeting the technical, commercial, and delivery requirements of our clients. Our team of skilled professionals uses modern engineering practices to ensure that our production procedures are relevant to the demands of today's customers. We emphasize the protection of product quality and strive to keep the cost of production at an optimum level, while also making energy and environmental conservation an integral part of our work philosophy.

At Orcan, we take great pride in our commitment to delivering products that are reliable, durable, and easy to use. We believe that our success is reflected in the happiness of our customers, who have come to rely on our products for their everyday needs. We are dedicated to making the process of ordering, supplies, and spare parts as easy as possible for our clients.

Thank you for choosing Orcan, and we look forward to providing you with the best possible products and services.

Time Is Money



PRODUCTIVITY

- When four vices are used on the machine table.



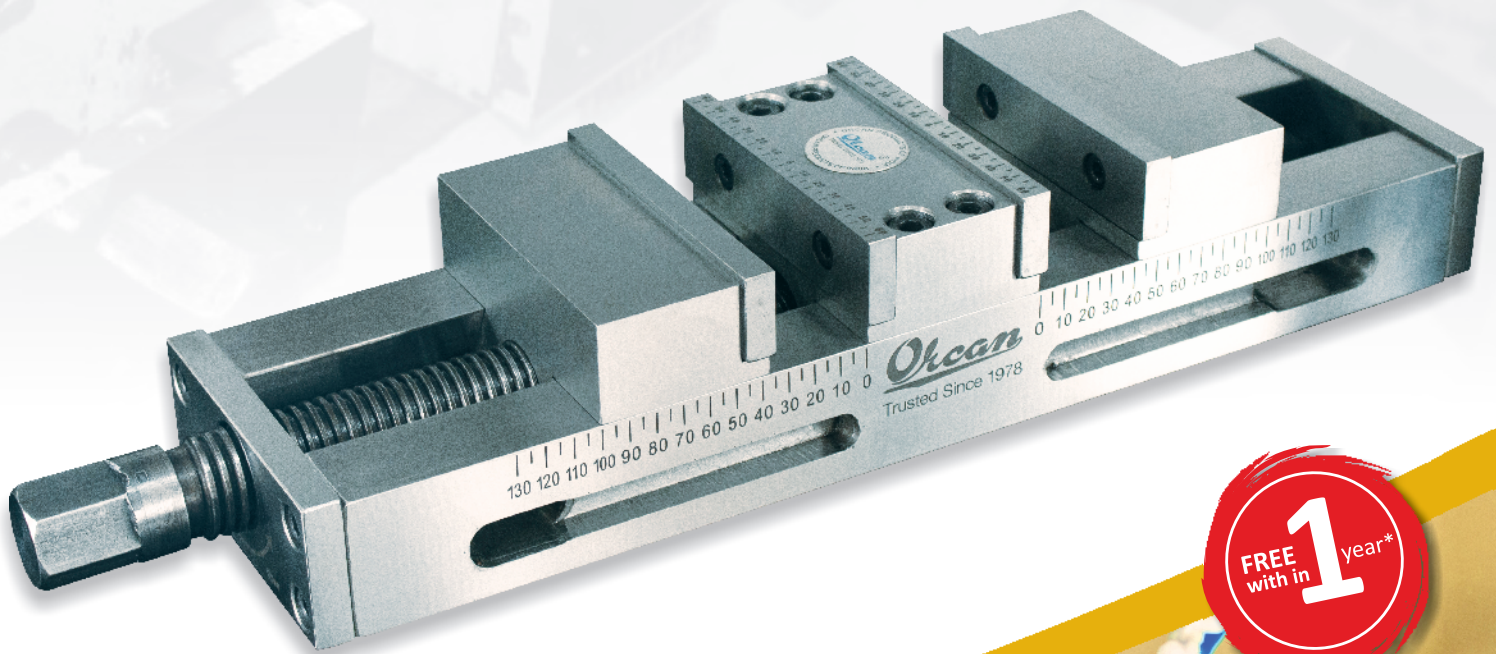
OPERATOR USEFULNESS

Twin Job Cnc Vise

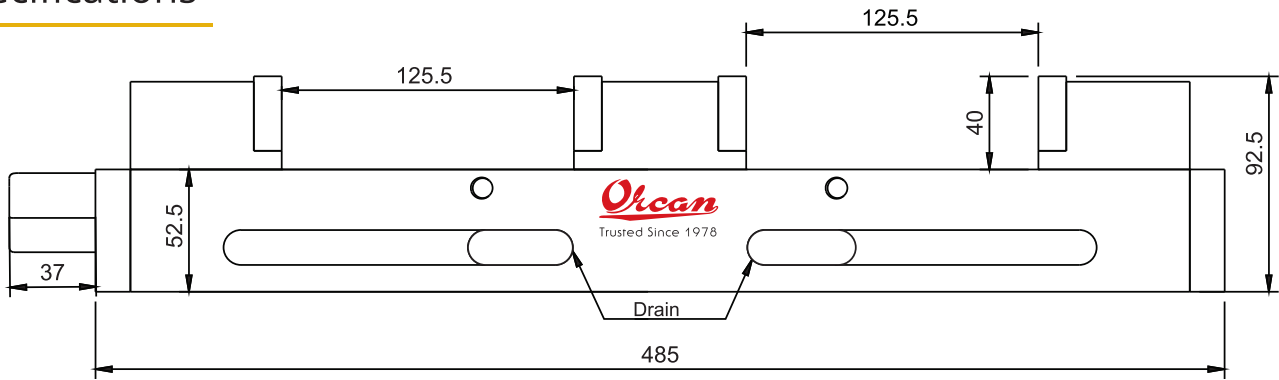
As production and mechanical engineers in the CNC shop floor, we understand that time is money. That's why we are excited to introduce Orcan's latest innovation, the Twin Job CNC Alloy Steel Machine Vice. With its ability to hold two pieces of the same size or different sizes, with a jaw width of 125mm and jaw opening of 125mm, this product is designed to improve productivity and reduce operator time by up to 86%, leading to increased productivity by up to 7%.

By using four vises on a machine table to process eight jobs in one setup, this product can significantly reduce the downtime between setups, allowing for more efficient production. With a return on investment of less than one year, this product is a sound investment that can quickly pay off.

At Orcan, we are committed to providing innovative solutions that meet the changing needs of the manufacturing industry. If you're interested in improving your productivity and efficiency on the shop floor, contact us today to learn more about the Twin Job CNC Alloy Steel Machine Vice.



Specifications*



Jaw Opening : 125.5mm
Jaw Height : 40mm
Jaw Width : 125mm
Over all length : 485mm

Customised sizes for your machine/ work piece specifications

Material Options : CI casting | Low carbon Steel | EN8 | 20 MNCR-5
Jaw Options : Jaws with serrations | Step Jaws | Plain Jaws
Jaws : Hardend and Ground

Clients

ENGINEERING COLLEGES

B.V.B College Of Engineering & Technology, Hubli
Geedee Technical Training Institute, Coimbatore
Gkitr Institute For Technological, Coimbatore
Indo Canadian School Of Training, Faridabad
Indo German Tool Room, Aurangabad
K.L.E. Society's Belgaum
Manav Rachna College Of Engineering, Faridabad
Nttf Technical Training Center, Bangalore
T.S. Srinivasan Vocational Training Center, Chennai
Vivekanada Scientific & Engg., Hubli

INDUSTRIAL CUSTOMERS

ACE Designers Ltd.
GKN Drive Shafts Ltd.
Groz-Beckert & Grob Horgen AG
Hero Honda Motors Ltd.
Integral Coach Factory
JCB India Ltd.
Mahindra & Mahindra Ltd.
Mitsubishi Electric Automotive India Pvt Ltd.
Skytech Engineering
The TVS Group
Whirlpool India Ltd.

As our client you would be in good company

Orcan

Trusted Since 1978

ORCAN PRODUCTS OF INDIA

Plot no. 51, Industrial Area, N.I.T. Faridabad - 121 001 (Haryana) India
Tel.: +91-129-4033248, 4021748, Mobile: +91-9811043930, 9810140136
E-mail : mktg@orcan.com, Website : www.orcan.com